

EPM M

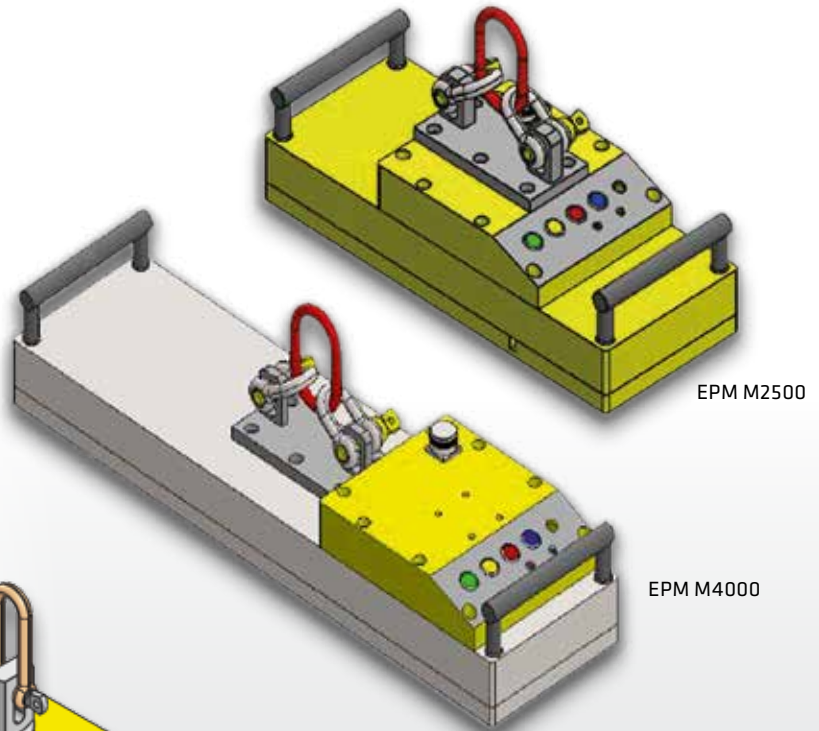
Electropermanent Lifting Magnet

This EPM M magnets are used for frequent handling of workpieces when mains supply is available.

The switching time is rather short.

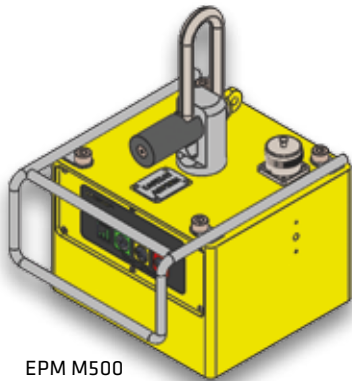
They combine the safety of permanent magnets with the convenience of electromagnets.

Only short pulse current is needed for switching, hence energy consumption is very low.

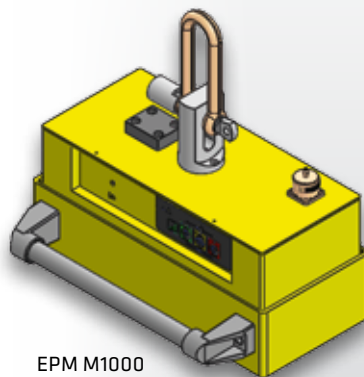


EPM M2500

EPM M4000



EPM M500



EPM M1000

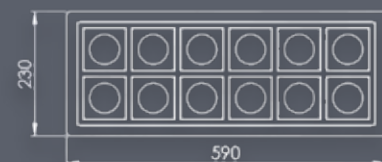
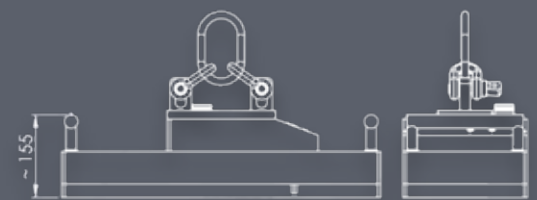
Professional advantages

- ▶ Very short switching cycles
- ▶ No drop of workpiece when power supply fails
- ▶ Mainly maintenance free
- ▶ Reduction of power for destacking from 6mm sheet thickness

Features

- Ⓢ Integrated controller for 400V / 50-60Hz / 16A mains supply
- Ⓢ Max. operation temperature 80°C
- Ⓢ Selection of manual mode or automatic mode
- Ⓢ Option:
 - radio remote control for destacking
 - customized applications

EPM M2500



Technical data

Technical data	Dimensions [L×W×H] [mm]	Load	Min. thickness [mm]	Hold surface [mm]	Weight [kg]	No.
		SWL 3:1 Fh [kg]				
EPM M500	180 x 160 x 140	500	4	160 x 130	25	69840
EPM M1000	355 x 165 x 170	1 000	4	310 x 120	50	69858
EPM M2500	590 x 230 x 155	2 500	15	590 x 230	92	69758
EPM M4000	860 x 230 x 165	4 000	15	860 x 230	140	59785
EPM M5000	1 000 x 280 x 165	5 000	15	1 000 x 280	200	69841