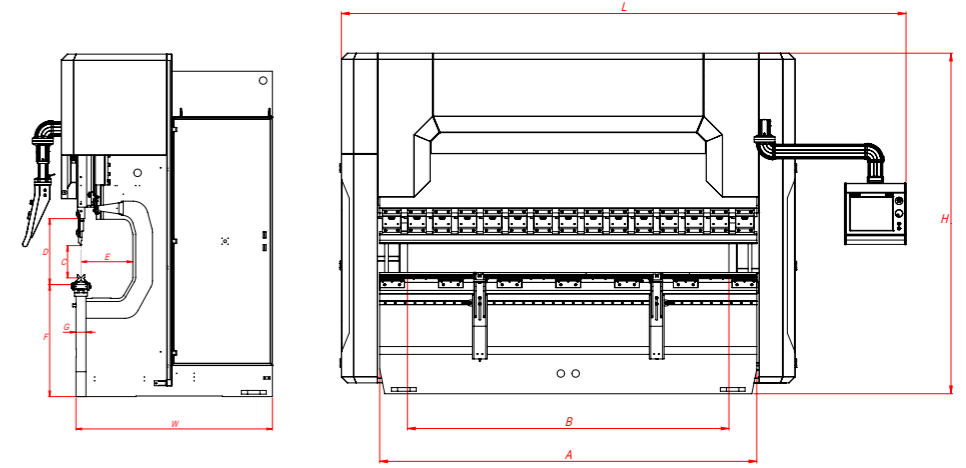


# AD-Servo Series Technical Details



| AD-SERVO Series | Bending Force | Bending Length | Distance Between Columns |      | Stroke | Daylight | Throat Depth | Table Height | Table Width | Y Rapid Speed | Y Working Speed | Y Return Speed | Y Axes Precision | X Axes Working Speed | X Axes Precision | X Axes Dimensions |      |      | R Axes Working Speed | R Axes Working Distance | R Axes Precision | Z Axes Working Speed | Z Axes Working Distance | Motor Power | Consumption Ratio | Oil Tank Capacity | Length | Width | Height | Weight Approx. |
|-----------------|---------------|----------------|--------------------------|------|--------|----------|--------------|--------------|-------------|---------------|-----------------|----------------|------------------|----------------------|------------------|-------------------|------|------|----------------------|-------------------------|------------------|----------------------|-------------------------|-------------|-------------------|-------------------|--------|-------|--------|----------------|
|                 |               |                | mm                       | mm   |        |          |              |              |             |               |                 |                |                  |                      |                  | 25,6              | 29,5 | 39,4 |                      |                         |                  |                      |                         |             |                   |                   |        |       |        |                |
|                 |               |                | mm/s                     | mm/s |        |          |              |              |             |               |                 |                |                  |                      |                  | mm/s              | mm   | mm   |                      |                         |                  |                      |                         |             |                   |                   |        |       |        |                |
|                 | A             | B              | C                        | D    | E      | F        | G            |              |             |               |                 |                |                  |                      |                  |                   |      |      |                      |                         |                  |                      |                         |             |                   |                   |        |       |        |                |
| AD-Servo 25100  | 100           | 2550           | 2200                     | 265  | 530    | 450      | 900          | 104          | 200         | 10            | 200             | 0,01           | 500              | 0,05                 | S                | -                 | O    | 350  | 250                  | 0,1                     | 1000             | 1580                 | 4 x 2                   | 2,0ca       | 75                | 3800              | 1670   | 2850  | 7800   |                |
| AD-Servo 30100  | 100           | 3050           | 2600                     | 265  | 530    | 450      | 900          | 104          | 200         | 10            | 200             | 0,01           | 500              | 0,05                 | S                | -                 | O    | 350  | 250                  | 0,1                     | 1000             | 1990                 | 4 x 2                   | 2,1         | 75                | 4200              | 1670   | 2850  | 8500   |                |
| AD-Servo 30135  | 135           | 3050           | 2600                     | 265  | 530    | 450      | 900          | 104          | 200         | 10            | 200             | 0,01           | 500              | 0,05                 | S                | -                 | O    | 350  | 250                  | 0,1                     | 1000             | 1990                 | 4 x 2                   | 2,65        | 75                | 4200              | 1680   | 2850  | 9580   |                |
| AD-Servo 30175  | 175           | 3050           | 2600                     | 265  | 530    | 450      | 900          | 104/180      | 200         | 10            | 200             | 0,01           | 500              | 0,05                 | S                | -                 | O    | 350  | 250                  | 0,1                     | 1000             | 1990                 | 4 x 2                   | 3,38        | 75                | 4250              | 1700   | 2850  | 10900  |                |
| AD-Servo 30220  | 220           | 3050           | 2600                     | 265  | 530    | 450      | 900          | 104/180      | 200         | 12            | 180             | 0,01           | 500              | 0,05                 | S                | -                 | O    | 350  | 250                  | 0,1                     | 1000             | 1990                 | 11 x 2                  | 5,2         | 80 x 2            | 4250              | 1770   | 3000  | 12600  |                |
| AD-Servo 30320  | 320           | 3050           | 2600                     | 365  | 630    | 450      | 900          | 104/240      | 160         | 10            | 160             | 0,01           | 500              | 0,05                 | S                | -                 | O    | 350  | 250                  | 0,1                     | 1000             | 1990                 | 11 x 2                  | 7,2         | 80 x 2            | 4300              | 1820   | 3330  | 17100  |                |
| AD-Servo 37175  | 175           | 3700           | 3100                     | 265  | 530    | 450      | 900          | 104/240      | 200         | 10            | 200             | 0,01           | 500              | 0,05                 | S                | -                 | O    | 350  | 250                  | 0,1                     | 1000             | 2375                 | 4 x 2                   | 3,38        | 75                | 4950              | 1700   | 3000  | 11750  |                |
| AD-Servo 37220  | 220           | 3700           | 3100                     | 265  | 530    | 450      | 900          | 104/240      | 200         | 12            | 180             | 0,01           | 500              | 0,05                 | S                | -                 | O    | 350  | 250                  | 0,1                     | 1000             | 2375                 | 11 x 2                  | 5,2         | 80 x 2            | 4950              | 1770   | 3000  | 14440  |                |
| AD-Servo 40175  | 175           | 4050           | 3600                     | 265  | 530    | 450      | 900          | 104/240      | 200         | 10            | 200             | 0,01           | 500              | 0,05                 | S                | -                 | O    | 350  | 250                  | 0,1                     | 1000             | 2910                 | 4 x 2                   | 3,38        | 75                | 5250              | 1700   | 2850  | 12780  |                |
| AD-Servo 40220  | 220           | 4050           | 3600                     | 265  | 530    | 450      | 900          | 104/240      | 200         | 12            | 180             | 0,01           | 500              | 0,05                 | S                | -                 | O    | 350  | 250                  | 0,1                     | 1000             | 2910                 | 11 x 2                  | 5,2         | 80 x 2            | 5250              | 1770   | 3000  | 14750  |                |
| AD-Servo 40320  | 320           | 4050           | 3600                     | 365  | 630    | 450      | 900          | 154/300      | 160         | 10            | 160             | 0,01           | 500              | 0,05                 | S                | -                 | O    | 350  | 250                  | 0,1                     | 1000             | 2910                 | 11 x 2                  | 7,2         | 80 x 2            | 5300              | 1910   | 3330  | 20000  |                |
| AD-Servo 60220  | 220           | 6050           | 5100                     | 265  | 530    | 450      | 1050         | 104/240      | 200         | 12            | 180             | 0,01           | 500              | 0,05                 | -                | S                 | O    | 350  | 250                  | 0,1                     | 1000             | 4400                 | 11 x 2                  | 5,2         | 80 x 2            | 7500              | 1770   | 3350  | 20800  |                |
| AD-Servo 60320  | 320           | 6050           | 5100                     | 365  | 630    | 450      | 1100         | 154/300      | 160         | 10            | 160             | 0,01           | 500              | 0,05                 | -                | S                 | O    | 350  | 250                  | 0,1                     | 1000             | 4400                 | 11 x 2                  | 7,2         | 80 x 2            | 7500              | 1910   | 3350  | 29000  |                |

\* 750 mm throat depth  
 \*\* 750 - 1000 - 1250 mm throat depth  
 Machines set according to optimum values.